



TECHNICAL DATA SHEET



V.01

REV.01

21-06-2022

ROTAIR

powerful >> compact

MDVN

PORTABLE COMPRESSORS

53 Eco 5

	AXLE WITHOUT BRAKES	960 KG 2116 LB
	AXLE WITH BRAKES	1035 KG 2282 LB
	SKID VERSION	970 KG 2138 LB



COMPRESSOR

Operating pressure	7 bar - 102 psi	10 bar - 145 psi	12 bar - 174 psi
Free air delivery	5000 l/min - 177 cfm	4900 l/min - 175 cfm	3700 l/min - 132 cfm
Minimum working pressure	5 bar - 73 psi		
Drive system engine-airend	Direct Drive		
Compressor cooling system	Air / Oil		
Oil cooling capacity	10,7 lt - 2.35 UK gal		
Air outlet temperature	40°C - 105°F + Ambient temperature		
Outlet valves	2 x 3/4"		
Noise level EECno 2000/14	< 98 LWA		
Battery capacity	12V cc - 750A-100Ah (EN)		
Fuel tank capacity	88 lt - 19.36 UK gal.		
Consumes	10,8 lt/h @100% - 6.5 lt/h @60%		
	2.38 UK gal/h @100% - 1.43 UK gal/h @60%		

DIESEL ENGINE

Engine make	KOHLER
Engine type	KDI 1903 TCR St V
Engine system	4 strokes - Inline - Indirect Injection
Emissions	Stage V / Tier 4 Final
Filtration	DOC + DPF
Displacement	1903 cc
N. cylinders	3
Aspiration	Turbocompress
Max engine power @2600 RPM	36,5 kW - 49.0 HP
Max engine speed	2450 RPM
Min engine speed	1700 RPM
Cooling system	Water
Cooling system capacity	14 lt - 3.08 UK gal
Lubrication system	Oil
Lubrication system capacity	9,75 lt - 2.14 UK gal

ENVIRONMENTAL CONDITIONS

Max ambient temperature	45°C - 113°F
Max altitude	1800 m a.s.l.
Min working temperature	-10°C / 14°F

AXLE WITHOUT BRAKES

WITH ARTICULATED DRAWBAR
Slow towing from construction site



960 KG
2116 LB

AXLE WITH BRAKES

WITH ARTICULATED DRAWBAR
Suitable for road traffic



1035 KG
2282 LB

SKID VERSION

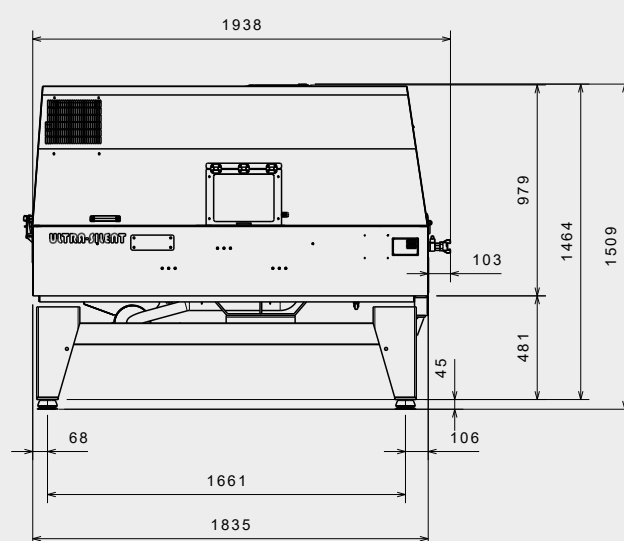
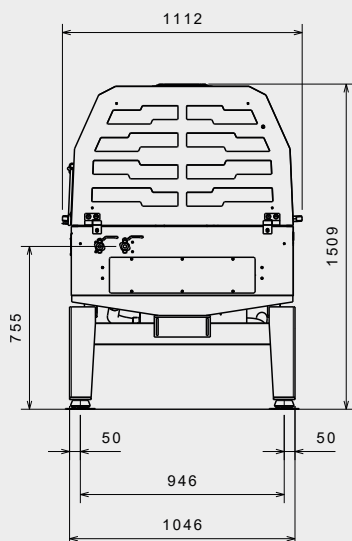
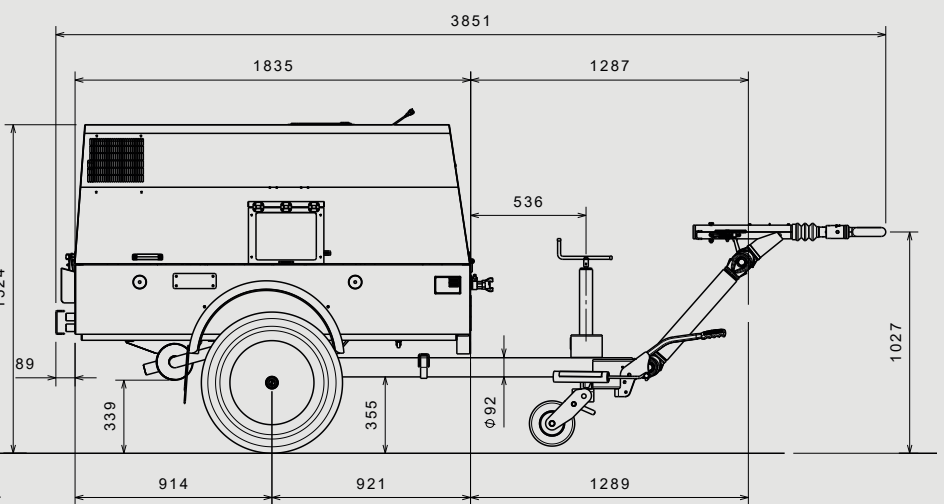
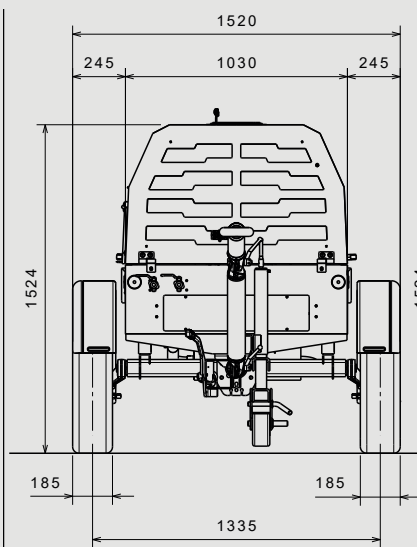
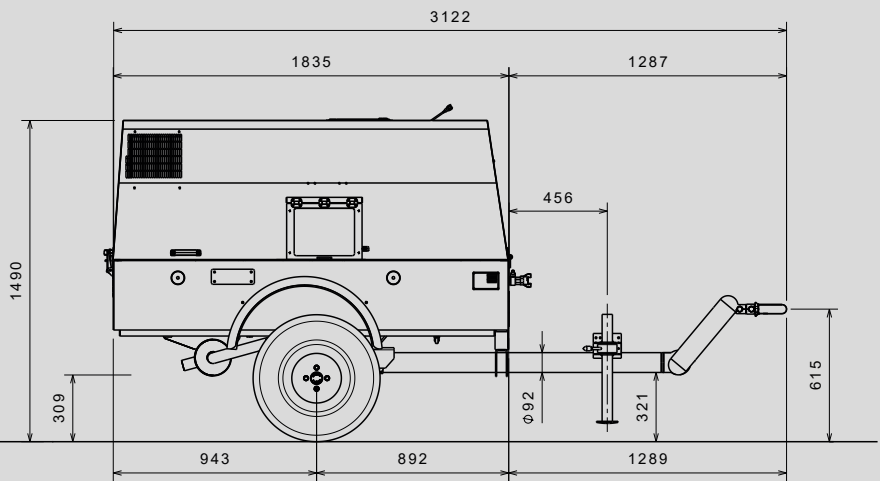
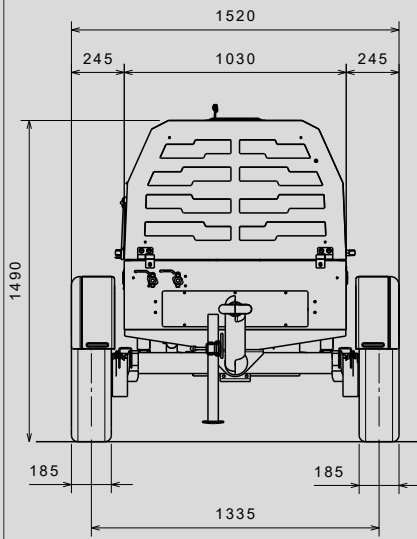


970 KG
2138 LB

Eco 5

PORTABLE
COMPRESSORS 

powerful >> compact



MDVN 53^{ECO}₅

PORTABLE COMPRESSORS

MAIN FEATURES

COMPRESSED AIR
FOR CIVIL ENGINEERING

GOMMAIR RANGE

DS RANGE

MDVN RANGE

MDVS RANGE

VRK RANGE

VRK FIBER RANGE

VRH RANGE

TVR RANGE

ROTAIR

DELIVERING WORLD-CLASS
COMPRESSORS

Via Bernezzo, 67 - 12023 Caraglio (Cn) - ITALY
Tel: +39 0171.619676 / Fax: +39 0171.619677
www.rotairspa.com | info@rotairspa.com



Azienda
certificata
ISO
9001:2015

ISO 9001
BUREAU VERITAS
Certification



ROTAIR - A brand of
ELGI Equipments Ltd.

Further information available on request. The manufacturer reserves the right to modify the technical characteristics indicated above without prior notice.