

www.rotofluidpumps.com

ROTARY GEAR PUMPS

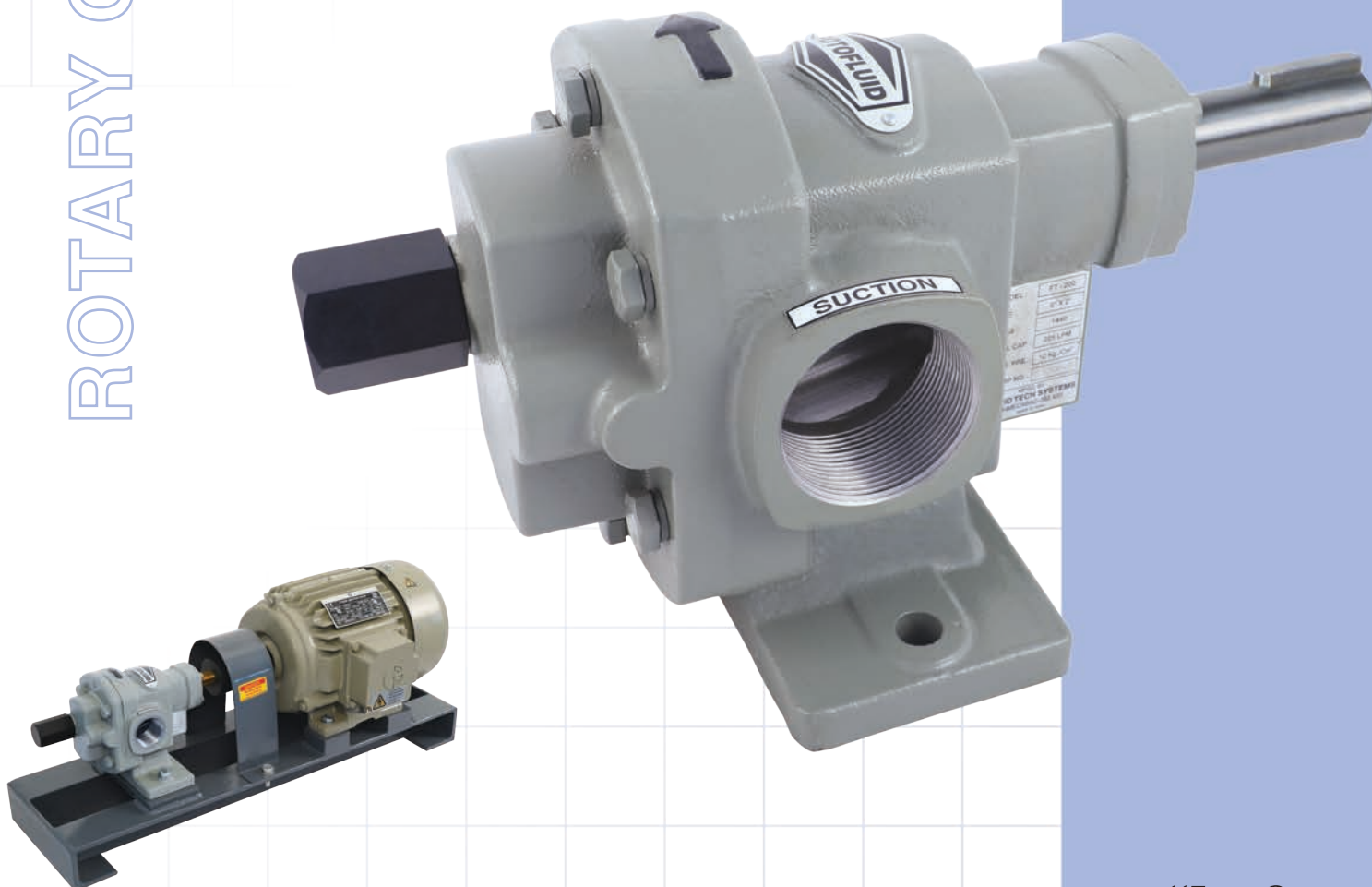
Series : FT



Rotary Gear Pumps
SINCE : 1993

Perfect Solution

for Transfer of Oil, Viscous &
Semi Viscous Liquid



An ISO 9001:2015 Certified Company

Fluid Tech Systems

Ahmedabad - 382 430. (Guj.) INDIA

NSIC
ISO 9001 : 2008



*“Let Our
Quality Speak
For Itself”*

ADVANCED TECHNOLOGY FOR PUMPING VISCOUS LIQUIDS



Rotary Gear Pumps
SINCE : 1993

ROTOFLUID® brand Rotary Gear Pump Model-FT are economical, compact, efficient, self-priming, foot mounted pumps, capable of handling all types of viscous & semi-viscous liquids.

MODEL & PERFORMANCE CHART

PUMP MODEL	SUCTION & DELIVERY	CAPACITY AT 1440 RPM			RECOMMENDED MOTOR HP		
		LPM	US GPM	M ³ /hr	Up to 3 kg./cm ²	Up to 7 kg./cm ²	Up to 10 kg./cm ²
FT - 025	¼" X ¼"	2.5	0.66	0.15	0.25	0.35	0.5
		5	1.32	0.3			
FT - 050	½" X ½"	10	2.64	0.6	0.5	0.75	1.0
		20	5.28	1.2			
FT - 075	¾" X ¾"	25	6.60	1.5	0.75	1.0	1.5
		30	7.92	1.8			
FT - 100	1" X 1"	35	9.24	2.1	1.0	1.5	2.0
		50	13.20	3.0			
FT - 125	1¼" X 1¼"	75	19.81	4.5	1.5	2.0	3.0
FT - 150	1½" X 1½"	110	29.05	6.6	2.0	3.0	5.0
FT - 200	2" X 2"	225	59.44	13.5	3.0	5.0	7.5
FT - 250	2½" X 2½"	350	92.46	21.0	5.0	10.0	12.5
FT - 300	3" X 3"	500	132.08	30.0	10.0	15.0	20.0

APPLICATION INDUSTRIES

- Oil & Gas Industry
- Cement Plant
- Power Plant
- Steel Plant
- Food Industry
- Paint, Varnish & Ink Industry
- Pharmaceuticals Industry

LIQUIDS CAN HANDLE

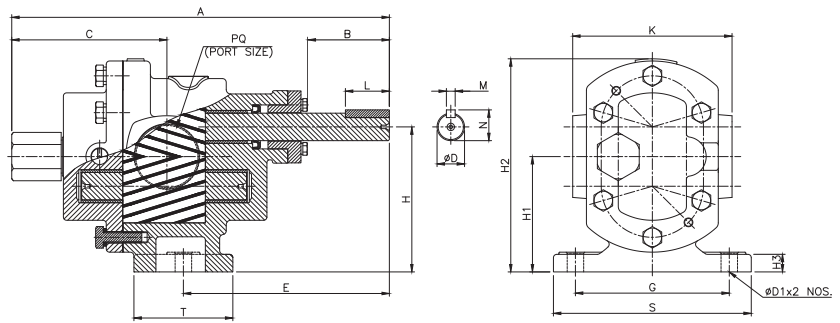
- All types of Oils (Mineral Oil / Vegetable Oil / Fish Oil / Animal Oil / Fuel Oil / Diesel Oil / Furnace Oil / Lube Oil)
- Bitumen / Asphalts
- Paints & Varnish
- Sugar Molasses & Syrup
- Glue
- Soap Solution
- Non-Corrosive Viscous Chemicals

SALIENT FEATURES

- Size from ¼" to 3" to handle flow from 2.5LPM to 500LPM
- Can handle maximum viscosity 25000CST
- Designed to handle fluid at temperature 80°C in FT and 200°C in FT (HT)
- High strength two pieces Cast Iron construction with single helical high strength Alloy Steel Gears & Shaft Sets.
- Gears are shrunk fitted on alloy steel hardened & grounded shaft well supported with the help of 4 nos. of self-lubricated Bronze Bush bearing.
- Sealing options available – Oil Seal / Gland Packing / Single Mechanical Seal
- The relief valve operation can be reversed by changing the back cover on opposite side.
- Self-Priming
- Working Pressure upto 10Bar

MATERIAL OF CONSTRUCTION

Parts	FT up to 80°C	FT (HT) up to 200°C
Body	IS.210 FG 220 C.I. Grade	
Back Cover	IS.210 FG 220 C.I. Grade	
Gears	EN - 8	EN - 353 Nitrided
Shaft	EN -19 H.G.	
Bushes	Non Ferrous	
Seal	Neoprene Oil Seal	Gland Packing



DIMENSIONAL DRAWING DETAILS

PUMP MODEL	OVER ALL							MOUNTING & SHAFT										APPROX WEIGHT	
	A	C	S	T	H2	K	B	E	G	H	H1	H3	L	M	N	ØD	ØD1		PQ
FT - 025	146	63	80	38	80	65	26	75	60	54	44	7	18	3	10.7	9.5	8	¼" BSP	1.7 kg.
FT - 050	170	75	90	45	92	70	29	90	70	63	50	8	22	4	13.5	12	8	½" BSP	2.5 kg.
FT - 075	213	93	110	52	117	90	37	104	85	80	65	10	25	5	16	14	10	¾" BSP	4.5 kg.
FT - 100	232	102	125	60	132	94	43	113	93	90	73	11	27.5	5	19	17	10	1" BSP	5.8 kg.
FT - 125	259	110	140	70	142	100	51	134	105	100	80	12	32	6	22.5	20	12	1¼" BSP	8.2 kg.
FT - 150	286	121	150	75	157	108	58	149	115	110	88	14	35	6	24.5	22	12	1½" BSP	10 kg.
FT - 200	343	141	180	90	194	145	75	188	140	132	105	16	40	8	28	25	15	2" BSP	18.5 kg.
FT - 250	417	177	200	95	217	160	92	226	155	145	113	18	45	8	31	28	15	2½" BSP	28.5 kg.
FT - 300	454	196	220	125	243	190	85	255	175	165	130	20	50	10	35	32	15	3" BSP	41 kg.

* All dimensions are in millimeters. Unless otherwise stated, specifications are subject to change without prior notice as improvements are made from time to time.

Mfgd. by :

An ISO 9001:2015 Certified Company

Fluid Tech Systems
 Ahmedabad - 382 430. (Guj.) INDIA
 E-mail : info@rotofluidpumps.com, mail@rotofluidpumps.com
 Website : www.rotofluidpumps.com

Distributor :